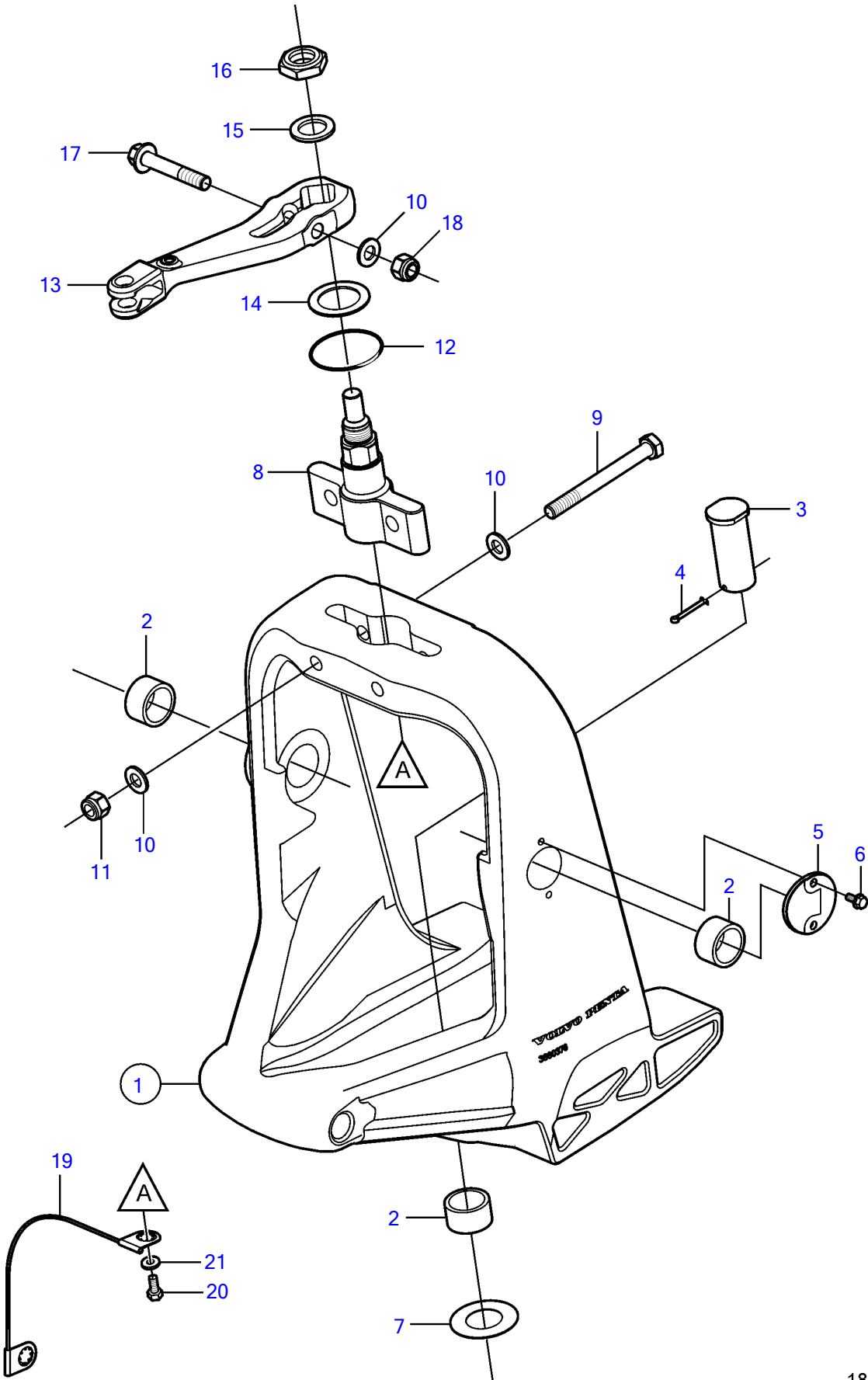


X-B, X-BLT, XHP-B, XHP-BLT, XXP-D3



X-B, X-BLT, XHP-B, XHP-BLT, XXP-D3

REF	PART NO.	QTY	DESCRIPTION
1	3860753	1	Housing
2	3808228	3	• Bearing bushing
3	3860380	1	Steering shaft
4	979874	1	Split pin
5	3862138	1	Cardboard tube
6	982283	2	Flange screw
7	3860430	2	Washer
8	3808557	1	Shaft
9	971032	2	Hexagon screw
10	980933	5	Washer
11	982531	2	Lock nut
12	941503	1	O-ring
13	3862125	1	Spindle arm
14	3860521	1	Washer
15	982328	1	Washer
16	983789	1	Lock nut
17	965187	1	Flange screw
18	971089	1	Lock nut
19	3861447	1	Ground cable
20	982523	1	Hexagon screw
21	982408	1	Washer